

Aquaform OD - OD Plus

High quality ASA perimeter drain with seamless wall-floor sides coated in non-woven polypropylene to guarantee a good seal with Aquastop Nanoflex®, Aquastop Flex, using eco-friendly Aquastop Fix sealant and gel-adhesives from the Biogel® range.



PRODUCT STRENGTHS

- UV resistant
- Paintable
- High resistance to collision

AREAS OF USE

Use

Balconies, terraces and horizontal external surfaces of any size.

Creation of perimeter drains with Aquastop Nanoflex®, Aquastop Flex and Green-Pro .

INSTRUCTIONS FOR USE

Application

- 1 Drill a hole diameter 60 mm in the wall close to the floor/parapet joint. Make a suitable housing on the screed to guarantee the drain is perfectly level with the floor, and avoid counter-slopes in the floor near the water exit hole.
- 2 Use Keralevel® Eco LR for the provisional fastening and the filling: apply the levelling product to the Aquaform OD outlet pipe and to any housing formed in the screed.
- 3 Insert Aquaform OD in the hole made as described above, and remove any excess Keralevel® Eco LR. Level Aquaform OD on the wall and floor (to ensure perfect levelling of the wall, mechanically chip out a suitable housing in which to position the drain).



Application with Aquastop Nanoflex® and Aquastop 70

- 1 Once the Aquaform OD drain has been fixed, apply Aquastop Nanoflex® on the fabric connection surfaces of the drain and on the support surfaces adjacent to the drain.
- 2 Fix Aquastop 70 on the fresh waterproofing product following the wall-floor joint. Press firmly and smooth over to ensure Aquastop 70 adheres perfectly, being careful not to wrinkle it.
- 3 When laying Aquastop Nanoflex®, cover the Aquastop 70 carefully.



INSTRUCTIONS FOR USE

Application with Aquastop Nanoflex®/Aquastop Flex and Aquastop 100

- 1 Once the Aquaform OD drain has been fixed, apply gel-adesivo® Biogel® (gel adhesive) on the fabric connection surfaces of the drain and on the support surfaces adjacent to the drain.
- 2 Fix Aquastop 100 to the fresh gel-adesivo® (gel adhesive) following the wall-floor joint. Press firmly and smooth over to ensure the tape adheres perfectly, being careful not to wrinkle it.
- 3 When laying Aquastop Nanoflex®/Aquastop Flex, cover the Aquastop 100 carefully.



Application with Green-Pro and Aquastop 100

- 1 Lay Aquastop Fix on the black TNT connection surfaces of the Aquaform drains and on the adjacent surfaces to be connected, taking care to fill in the Green-Pro surface cavities.
- 2 Position the special pieces of Aquastop 100 cut to measure.
- 3 Press firmly and smooth over to ensure the tape seals perfectly, being careful not to wrinkle it. If necessary, use several pieces of tape until the drain has been completely sealed (black TNT totally covered).



ABSTRACT

Aquaform OD: supply and laying of ASA perimeter drain, entrance diameter 55 mm, exit diameter 45 mm, overall length 400 mm, such as Aquaform OD by Kerakoll Spa. Provide suitable housings on the floor and wall to guarantee levelling of the drain and apply it using a thixotropic, eco-friendly, ultra-fast setting and drying, mineral levelling product such as Keralevel® Eco LR.

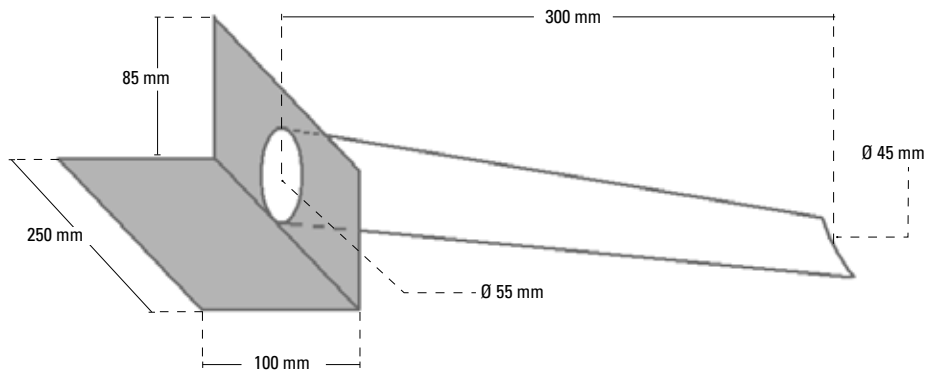
Aquaform OD Plus: supply and laying of ASA perimeter drain, entrance hole 90x90 mm, exit hole 75x75 mm, overall length 460 mm, such as Aquaform OD Plus by Kerakoll Spa. Provide suitable housings on the floor and wall to guarantee levelling of the drain and apply it using a thixotropic, eco-friendly, ultra-fast setting and drying, mineral levelling product such as Keralevel® Eco LR.

TECHNICAL DATA COMPLIANT WITH KERAKOLL QUALITY STANDARD

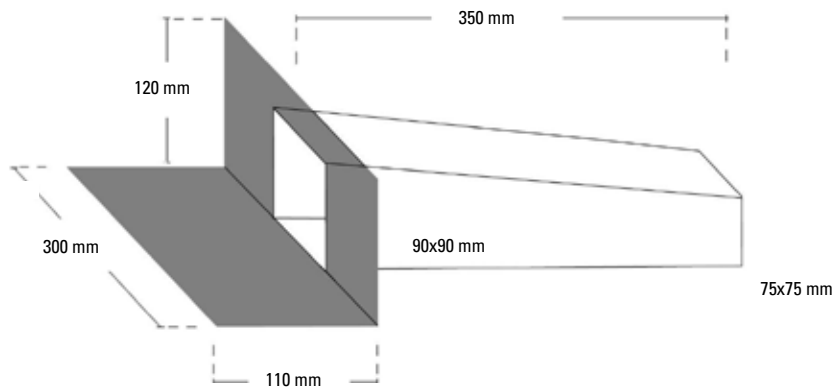
	Aquaform OD	Aquaform OD Plus
Material	ASA	ASA
Colour	grey	grey
Connector height	≈ 85 mm	≈ 120 mm
Connector width	≈ 250 mm	≈ 300 mm
Total length	≈ 400 mm	≈ 460 mm
Inlet	Ø ≈ 55 mm	≈ 90x90 mm
Outlet	Ø ≈ 45 mm	≈ 75x75 mm
Flow	≈ 2 l/s	≈ 8 l/s

TECHNICAL DIAGRAMS

Aquaform OD



Aquaform OD Plus



WARNING

- **Product for professional use**
- abide by any standards and national regulations
- do not heat with a live direct flame
- for any other issues, contact the Kerakoll Worldwide Global Service - info@kerakoll.ae

The Eco and Bio classifications refer to the GreenBuilding Rating® Manual 2012. This information was last updated in January 2019; please note that additions and/or amendments to this information may be made over time by KERAKOLL SpA; for the latest version, see www.kerakoll.com. KERAKOLL SpA shall therefore be liable for the validity, accuracy and updating of information provided only when taken directly from its institutional website. The technical data sheet given here is based on our technical and practical knowledge. As it is not possible for us to directly check the conditions in your building yards and the execution of the work, this information represents general indications that do not bind Kerakoll in any way. Therefore, it is advisable to perform a preliminary test to verify the suitability of the product for your purposes.