

Aquaform OD - OD Plus

High quality ASA perimeter drain with seamless wall-floor sides coated in non-woven polypropylene to guarantee a good seal with Aquastop Nanoflex mineral membrane, using eco-friendly Aquastop Fix sealant and gel adhesives from the Biogel range.



1. UV resistant
2. Paintable
3. High resistance to collision

Areas of application

→ Intended use:

Balconies, terraces, flat roofs and external horizontal surfaces of any size.

Creation of perimeter drains in Kerakoll waterproofing systems.

Instructions for use

→ Application



- ① Drill a hole diameter 60 mm in the wall close to the floor/parapet joint. In Aquastop Nanoflex and Aquastop Flex waterproofing systems, make a suitable housing on the screed to guarantee the drain is perfectly level with the floor, and avoid counter-slopes in the floor near the water exit hole.
- ② Use Keralevel Eco LR for the provisional fastening and the filling: apply the levelling product to the Aquaform OD outlet pipe and to any housing formed in the screed.
- ③ Insert Aquaform OD in the hole made as described above, and remove any excess Keralevel Eco LR. Level Aquaform OD on the wall and floor (to ensure perfect levelling of the wall, mechanically chip out a suitable housing in which to position the drain).

→ Aquastop Nanoflex Waterproofing System



- ① Once the Aquaform OD drain has been fixed, apply Aquastop Nanoflex or Aquastop Flex on the fabric connection surfaces of the drain and on the support surfaces adjacent to the drain.
- ② Fix Aquastop 120 or Aquastop Plus 120 on the fresh waterproofing product following the wall-floor joint. Press firmly and smooth over to ensure the tape adheres perfectly, being careful not to wrinkle it.
- ③ When laying Aquastop Nanoflex or Aquastop Flex, cover the Aquastop 120 or Aquastop Plus 120 carefully.

→ Aquastop Green Waterproofing System

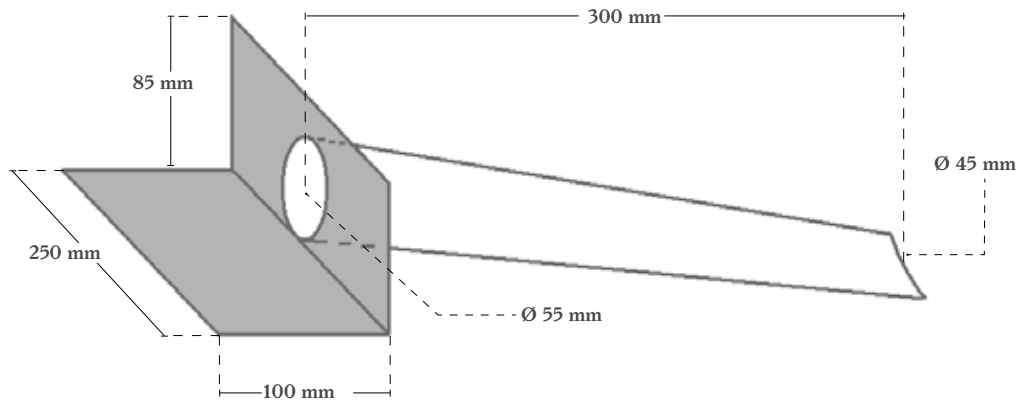


- ① Lay Aquastop Fix on the black TNT connection surfaces of the Aquaform drains and on the adjacent surfaces to be connected, taking care to fill in the Aquastop Green surface cavities.
- ② Position the special pieces of Aquastop 120 or Aquastop Plus 120 cut to measure.
- ③ Press firmly and smooth over to ensure the tape seals perfectly, being careful not to wrinkle it. If necessary, use several pieces of tape until the drain has been completely sealed (black TNT totally covered).

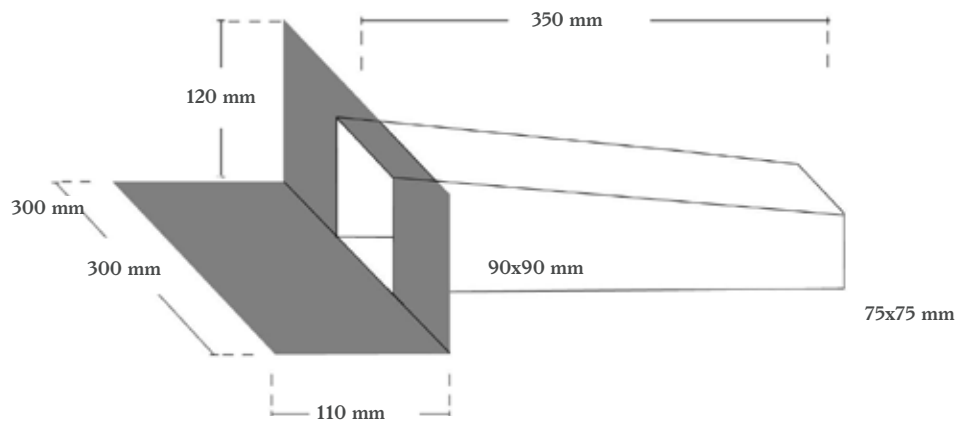
Technical Data compliant with Kerakoll Quality Standard		
	Aquaform OD	Aquaform OD Plus
Material	ASA	ASA
Colour	Grey	Grey
Connector height	≈ 85 mm	≈ 120 mm
Connector width	≈ 250 mm	≈ 300 mm
Total length	≈ 400 mm	≈ 460 mm
Inlet	Ø ≈ 55 mm	≈ 90x90 mm
Outlet	Ø ≈ 45 mm	≈ 75x75 mm
Flow	≈ 2 l/s	≈ 8 l/s

Technical diagrams

Aquaform OD



Aquaform OD Plus



Warning

- Product for professional use
- abide by any standards and national regulations
- do not heat with a live direct flame

- the product is an item according to the definitions of the EC Regulation No. 1907/2006 and therefore does not require a Safety Data Sheet
- for any other issues, contact the Kerakoll Worldwide Global Service - info@kerakoll.ae

The Rating classifications refer to the GreenBuilding Rating Manual 2013. This information was last updated in November 2023; please note that additions and/or amendments may be made over time by KERAKOLL SpA; for the latest version, see www.kerakoll.com. KERAKOLL SpA shall therefore be liable for the validity, accuracy and updating of information provided only when taken directly from its institutional website. The technical data sheet given here is based on our technical and practical knowledge. As it is not possible for us to directly check the conditions in your building site and the execution of the work, this information represents general indications that do not bind Kerakoll in any way. Therefore, it is advisable to perform a preliminary test to verify the suitability of the product for your purposes.